



FITTING INSTRUCTIONS FOR

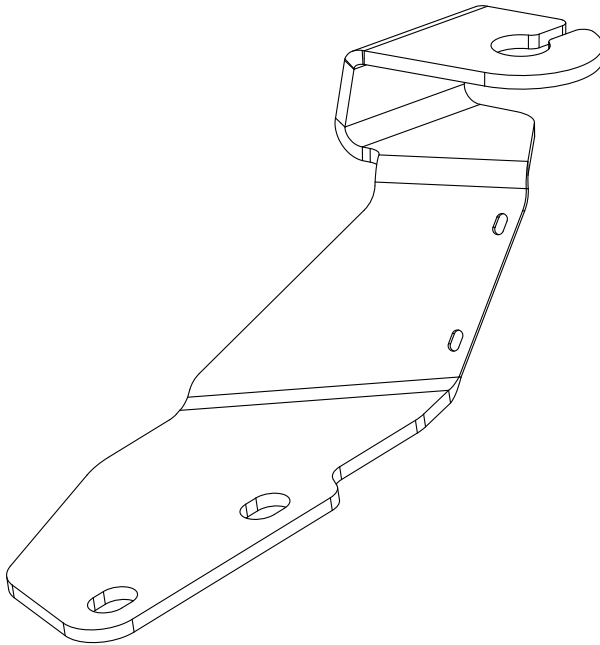
Bonnet Hinge Antenna Mount

SKU

KS0806

COMPATIBILITY

Toyota LandCruiser LC200 (2016-2021 Facelift Models)



Included contents

QTY	COMPONENT	QTY	COMPONENT
1	Antenna Mount Bracket	2	Small Cable Tie



Time

30 minutes / Half a beer

For further information contact KAON on **07 3180 1470** or info@kaon.com.au

G8.8 Bolt Torque (Non-Lubricated)

DIAMETER (mm)	5mm	6mm	8mm	10mm	12mm
NEWTON-METRES (Nm)	6 Nm	10 Nm	15 Nm	22 Nm	35 Nm

Let's get to work.

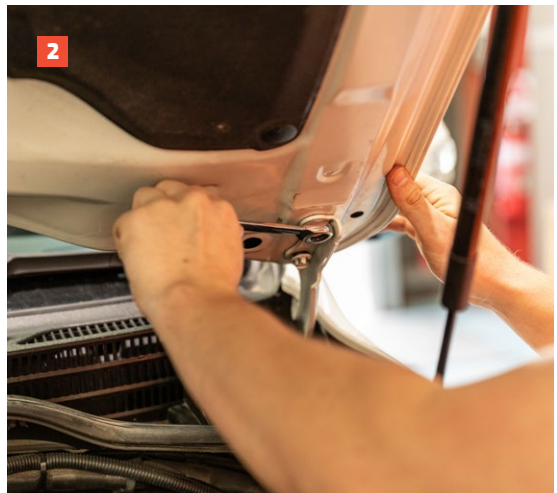
Preparation

1. First things first, mark the position of your bonnet relative to the hinge. This is to ensure that you can restore it the bonnet it's factory positioning after the install.



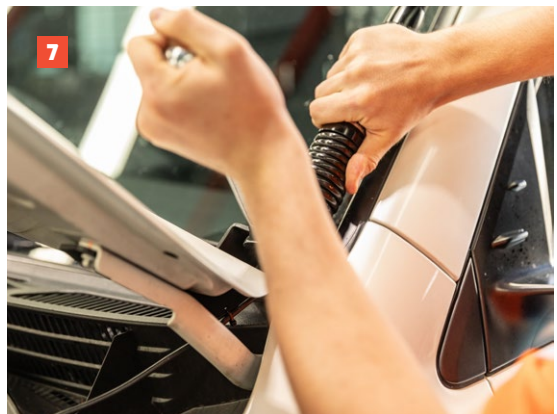
Installation

2. Remove both hinge nuts and set to one side. We suggest having someone on hand to hold the bonnet in position while you do this, as once the bolts are loose the bonnet may move.



Installation cont.

3. With the nuts removed, sandwich the hinge bracket between the Antenna Mount and bonnet, and loosely reinstall the factory nuts.
4. With the nuts in place, adjust the bonnet back to its factory position, referencing the marks we created earlier. Tighten the nuts slightly, so they are securely in place.
5. With the nuts secured, slowly and gently close the bonnet to confirm that the antenna mount doesn't foul on the bonnet. You want to check that there is an even gap around the mount.
6. With the placement confirmed, open the bonnet again and torque all bolts until tight.
7. Now all that's left to do is to run an aerial or light! Our bracket is slotted to make this super simple, and we find the easiest way of doing this is with the bonnet open, allowing free access to both sides. We also provide cable ties for you to secure the cable to the bracket.





Local Knowledge & Assistance

We know half the fun of building your dream 4x4 is getting your hands dirty. But we also know that sometimes, things don't go to plan. If in the pursuit to build the ultimate setup you find yourself off-track, we're here to help you get unstuck.

For further information call 07 3180 1470 or email info@kaon.com.au

Disclaimer: The products sold by KAON should not be modified, and are for use only on the vehicles specifically stated. KAON will not be liable for any damages arising out of the use or misuse of it's products. It is the customers responsibility to ensure the products are safely and properly used and installed. KAON consistently seeks to improve it's products and reserves the right to make changes to any product.